

## Photo flash Electrolytic capacitor

YP

- 5~35°C ,5000 Times
- Non-solvent proof ,RoHS
- compact size , high capacitance per unit volume
- For photo flash and other photo graphic equipment application
- capacitors effectively convert electrostatic energy into light



### Specifications:

Item	Characteristics		
Rated Voltage Range:	330V.DC , 360V.DC,		
Withstanding voltage	350SV.DC, 390SV.DC		
Operating Temperature Range:	-20~+55°C		
Capacitance Tolerance :	-10~ +20%(M) ( at 20°C , at 120Hz)		
Leakage Current	I=1×CV (at 20°C, 5 minutes) where : I Leakage current (uA) C: Nominal capacitance (uF)		
Dissipation Factor (tgδ)	the tgδ shall not exceed the values shown in the RATINGS.		
	Capacitance	tgδ	( at 20°C , at 120Hz)
	≅ 600uF	0.1	
	> 600uF	0.15	
charge and discharge characteristics	the following specifications shall be satisfied when the capacitors are restored to 20°C after charge and discharge are repeated 5,000 times at room temperature. (5 to 35°C ) charge and discharge cycles : 30 seconds discharge resistance or xenon tube : about 1 Ω.		
	Capacitance Change	≤ ±10% of the initial value	
	Dissipation Factor tgδ	≤ 150% of the specified value	
	Leakage Current	≤ the 150% initial specified value	
shelf Life	The following specifications shall be satisfied when the capacitors are restored to 20°C after exposing them at 55°C for 1,000 hours without voltage applied .		
	Capacitance Change	≤ ±10% of the initial value	
	Dissipation Factor tgδ	≤ 150% of the specified value	
	Leakage Current	≤ 300% of the initial specified value	

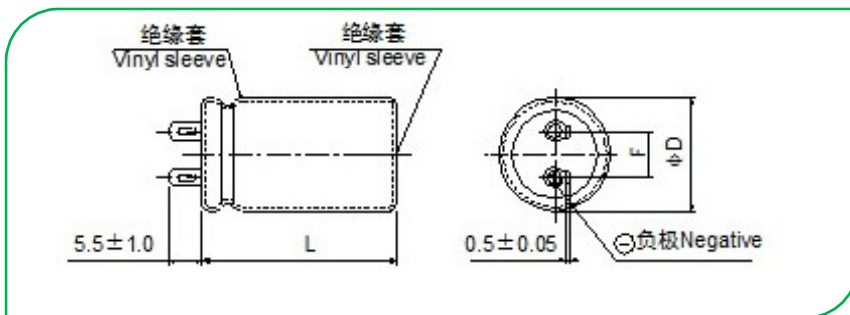
**RATING OF YP SERIES**

uF	V <sub>DC</sub>	330V
	SV	350V
165uF		16×27
180 uF		18×29
250 uF		16×39
260 uF		16×45
280 uF		20×28
320 uF		22×40
420 uF		22×50
500 uF		25.4×54
700 uF		30×54
950 uF		35×50
1000 uF		35×50
1500 uF		30×110
2000 uF		35×80

uF	V <sub>DC</sub>	360V	uF	V <sub>DC</sub>	360V
	SV	390V		SV	390V
150uF		16×45	600 uF		25×50
180 uF		18×32	700 uF		30×44
200 uF		20×30	800 uF		30×50
250 uF		20×35	900 uF		35×43
350 uF		20×45	1000 uF		35×48
400 uF		22×42	1200uF		35×55
450 uF		22×48	1300uF		35×59
500 uF		25×44	1500uF		35×71

Case Size ΦD×L(mm)

**Note: Case size are changeable upon your requests**



unit (mm)

ΦD	±1.0			±1.5			
	16	18	20	22	25	30	35
F±1.0	6	6.0	8.0	8.0	10	10	10

**How To Order:**

